

Client _____ Quantity _____
 Project _____ Position _____

Modi Up Blast Chiller

Model: W5UE

Cod: W21033000001



Technical data

| | |
|----------------------------|--|
| Top: | Thickness 4 cm. Reinforced in order to place an oven |
| Gross capacity: | 134 lt |
| Temperature range: | -40°+10°C |
| Ventilation range: | 25% - 100% |
| Humidifier: | Not available |
| Refrigerant unit: | Plug-In |
| Yield +90 / +3: | 22 Kg |
| Yield +90 / -18: | 17 Kg |
| Climate class: | 5 |
| Cooling gas: | R452A |
| Defrost: | Hot gas |
| Valve: | Electronic expansion valve |
| Dimensions: | 780×800×853 mm |
| Packing dimensions: | 875×915×895 mm |
| Gross weight: | 115 Kg |
| Voltage: | 220-240 V - 50 Hz |
| Total rate: | 1030 W |
| Absorbed Current: | 4,98 A |
| Cooling capacity: | 1565 W* |
| *: | Evap. -10°C Cond. +45°C |

Features

| | |
|-------------------------------------|---|
| Functions: | Blast chilling, shock freezing, continuous cycle |
| Standard equipment: | 5 slides EN60x40 |
| Control: | 4,3" touch screen display with USB port |
| Doors: | Cushioned, with anti-odor system |
| Door gasket: | Magnetic, triple chamber and easily replaceable |
| Core probe: | Needle probe with 1 reading point, quick-release and easily replaceable |
| Insulation: | 60 mm thickness - CFC/HCFC free |
| Exterior/interior finishing: | Exterior and interior AISI 304 stainless steel. |
| Inner corners: | Rounded for easy cleaning and ensuring maximum hygiene |
| Handle: | Stainless steel AISI 304, 2 mm thick |
| Racks and slides: | Stainless steel AISI 304, quick release |
| Feets: | Stainless steel AISI 304, adjustable h 100-150 mm |
| Cosmo: | Wi-Fi remote control system |

Accessories and variants

RAL customisable colouring

Sonda al cuore a 3 punti di lettura

Sonda al cuore riscaldata a 1 punto di lettura

Inversione apertura porta

Power supply frequency 60Hz

Other special voltage

Lowered foot h 55/70 mm

4 Swivel and brake castors h 128 mm

Aluminium coated backing-pan EN60x40 h 20 mm

Stainless steel shelf EN60x40

Plastic coated shelf EN60x40

Pair of type L slides 398 mm EN

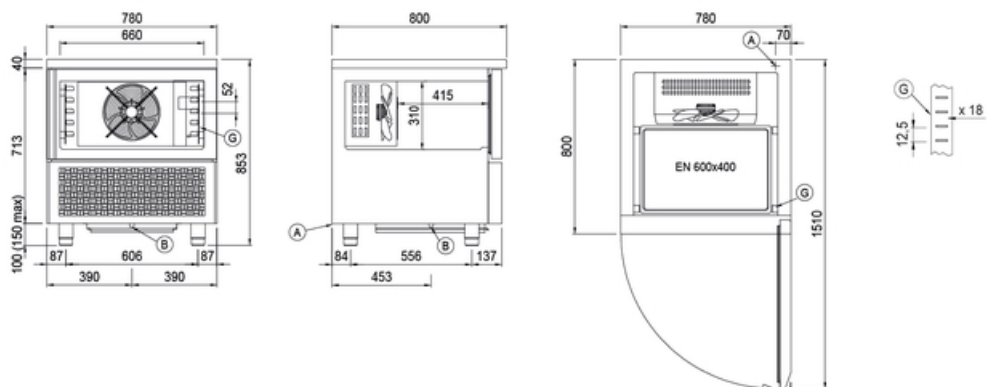
Sterilizing UV lamp (U version)

COSMO - wi-fi control

Cosmo is the wi-fi technology that allow to connect, update and monitor with a smartphone the MODI blast chiller. MODI is also a Cosmo hub and allow remote supervision of the Coldline devices connected to it.

*The installation requires a kit for the replacement of the racks

Technical draw



A: Power supply cable outlet

B: Condensation water drain

G: Racks pitch