

Client _____ Quantity _____
 Project _____ Position _____

Modi Up Blast Chiller

Model: W5U

Cod: W11033000001



Technical data

Top:	Thickness 4 cm. Reinforced in order to place an oven
Gross capacity:	134 lt
Temperature range:	-40°+10°C
Ventilation range:	25% - 100%
Humidifier:	Non disponibile
Refrigerant unit:	Plug-In
Yield +90 / +3:	22 Kg
Yield +90 / -18:	17 Kg
Climate class:	5
Cooling gas:	R452A
Defrost:	Hot gas
Valve:	Electronic expansion valve
Dimensions:	780×800×853 mm
Packing dimensions:	810×760×895 mm
Gross weight:	115 Kg
Voltage:	220-240 V - 50 Hz
Total rate:	1030 W
Absorbed Current:	4,98 A
Cooling capacity:	1565 W*
*:	Evap. -10°C Cond. +45°C

Features

Functions:	Blast chilling, shock freezing, continuous cycle
Standard equipment:	5 slides GN1/1, EN60x40
Control:	4,3" touch screen display with USB port
Doors:	Cushioned, with anti-odor system
Door gasket:	Magnetic, triple chamber and easily replaceable
Core probe:	Needle probe with 1 reading point, quick-release and easily replaceable
Insulation:	60 mm thickness - CFC/HCFC free
Exterior/interior finishing:	Exterior and interior AISI 304 stainless steel.
Inner corners:	Rounded for easy cleaning and ensuring maximum hygiene
Handle:	Stainless steel AISI 304, 2 mm thick
Racks and slides:	Stainless steel AISI 304, quick release
Feets:	Stainless steel AISI 304, adjustable h 100-150 mm
Cosmo:	Wi-Fi remote control system

Accessories and variants

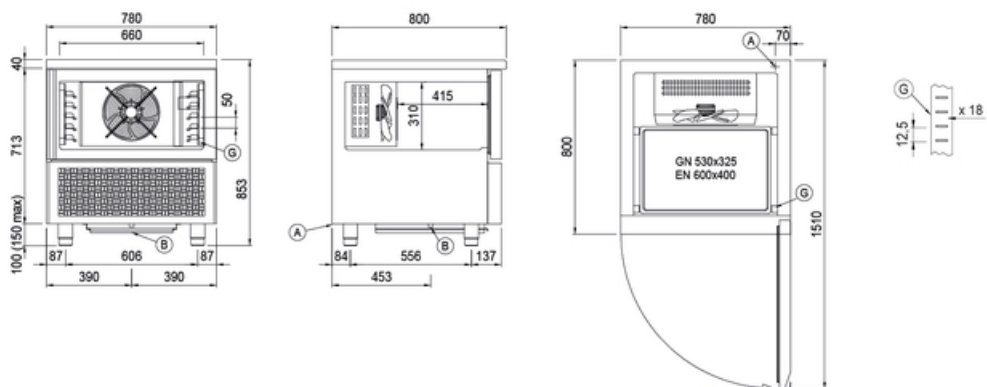
Sonda al cuore a 3 punti di lettura
 Sonda al cuore riscaldata a 1 punto di lettura
 Reverse door opening from standard
 Power supply frequency 60Hz
 Other special voltage
 Lowered foot h 55/70 mm
 4 Swivel and brake castors h 128 mm
 Stainless steel shelf GN1/1
 Plastic coated shelf GN1/1
 Stainless steel shelf EN60x40
 Plastic coated shelf EN60x40
 Pair of type L slides 398 mm GN-EN
 Sterilizing UV lamp (U version)

COSMO - wi-fi control

Cosmo is the wi-fi technology that allow to connect, update and monitor with a smartphone the MODI blast chiller. MODI is also a Cosmo hub and allow remote supervision of the Coldline devices connected to it.

*The installation requires a kit for the replacement of the racks

Technical draw



A: Power supply cable outlet

B: Condensation water drain

G: Racks pitch