

Client \_\_\_\_\_ Quantity \_\_\_\_\_  
 Project \_\_\_\_\_ Position \_\_\_\_\_

## Modi Active Blast Chiller

**Model:** W5AE

**Cod:** W21036000001



### Technical data

<b>Top:</b>	Thickness 4 cm. Reinforced in order to place an oven
<b>Gross capacity:</b>	134 lt
<b>Temperature range:</b>	-40°+65°C
<b>Ventilation range:</b>	25% - 100%
<b>Humidifier:</b>	Not available
<b>Refrigerant unit:</b>	Plug-In
<b>Yield +90 / +3:</b>	22 Kg
<b>Yield +90 / -18:</b>	17 Kg
<b>Climate class:</b>	5
<b>Cooling gas:</b>	R452A
<b>Defrost:</b>	Hot gas
<b>Valve:</b>	Electronic expansion valve
<b>Dimensions:</b>	780×800×853 mm
<b>Packing dimensions:</b>	875×915×895 mm
<b>Gross weight:</b>	115 Kg
<b>Voltage:</b>	220-240 V - 50 Hz
<b>Total rate:</b>	1430 W
<b>Absorbed Current:</b>	6,91 A
<b>Cooling capacity:</b>	1565 W*
<b>*:</b>	Evap. -10°C Cond. +45°C

### Features

<b>Functions:</b>	Blast chilling, shock freezing, thawing, proving, holding, desiccation, chocolate, manual cycle
<b>Standard equipment:</b>	5 slides EN60x40
<b>Control:</b>	4,3" touch screen display with USB port
<b>Doors:</b>	Cushioned, with anti-odor system
<b>Door gasket:</b>	Magnetic, triple chamber and easily replaceable
<b>Core probe:</b>	Needle probe with 1 reading point, quick-release and easily replaceable
<b>Insulation:</b>	60 mm thickness - CFC/HCFC free
<b>Exterior/interior finishing:</b>	Exterior and interior AISI 304 stainless steel.
<b>Inner corners:</b>	Rounded for easy cleaning and ensuring maximum hygiene
<b>Handle:</b>	Stainless steel AISI 304, 2 mm thick
<b>Racks and slides:</b>	Stainless steel AISI 304, quick release
<b>Feets:</b>	Stainless steel AISI 304, adjustable h 100-150 mm
<b>Cosmo:</b>	Wi-Fi remote control system

## Accessories and variants

RAL customisable colouring

Sonda al cuore a 3 punti di lettura

Sonda al cuore riscaldata a 1 punto di lettura

Inversione apertura porta

Power supply frequency 60Hz

Other special voltage

Lowered foot h 55/70 mm

4 Swivel and brake castors h 128 mm

Aluminium coated backing-pan EN60x40 h 20 mm

Stainless steel shelf EN60x40

Plastic coated shelf EN60x40

Pair of type L slides 398 mm EN

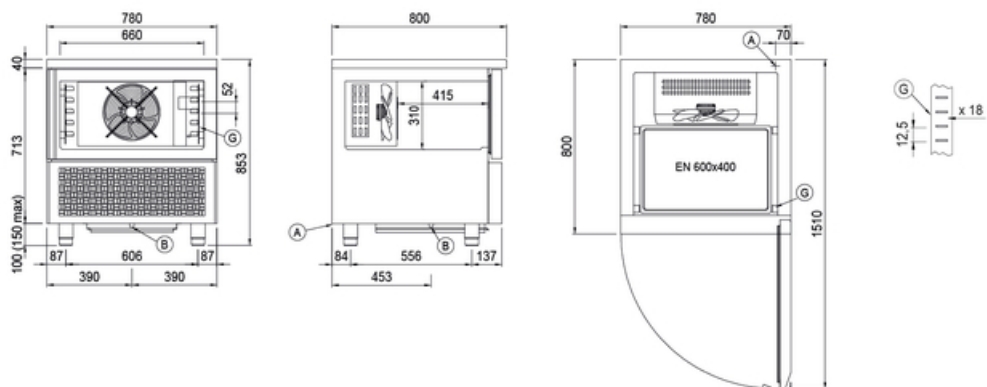
Sterilizing UV lamp (U version)

## COSMO - wi-fi control

Cosmo is the wi-fi technology that allow to connect, update and monitor with a smartphone the MODI blast chiller. MODI is also a Cosmo hub and allow remote supervision of the Coldline devices connected to it.

\*The installation requires a kit for the replacement of the racks

## Technical draw



**A:** Power supply cable outlet

**B:** Condensation water drain

**G:** Racks pitch

In order to constantly offer the best possible products we reserve the right to make changes on technical specifications without incurring any obligation for equipment previously or subsequently sold.