

Client _____ Quantity _____
 Project _____ Position _____

Master GN counter 2 doors

Model: TS13/1B-710

Cod: T10200000401



Technical data

Top:	Without top
Gross capacity:	280 lt
Temperature range:	-15°-22°C
Refrigerant unit:	Plug-In
Energetic class:	D
Energy efficiency index:	61,9
Annual consumption:	2135 kW/h annum
24h consumption:	3,96 kW/h/24h
Climate class:	5
Cooling gas:	R290
Defrost:	Hot gas
Body height:	710 mm
Valve:	Supplied standard with solenoid
Dimensions:	1300×680×810 mm
Packing dimensions:	1395×800×990 mm
Gross weight:	130 Kg
Voltage:	220-240 V - 50 Hz
Total rate:	850 W
Absorbed Current:	3,9 A
Cooling capacity:	569 W*
*:	Evap. -30°C Cond. +55°C

Features

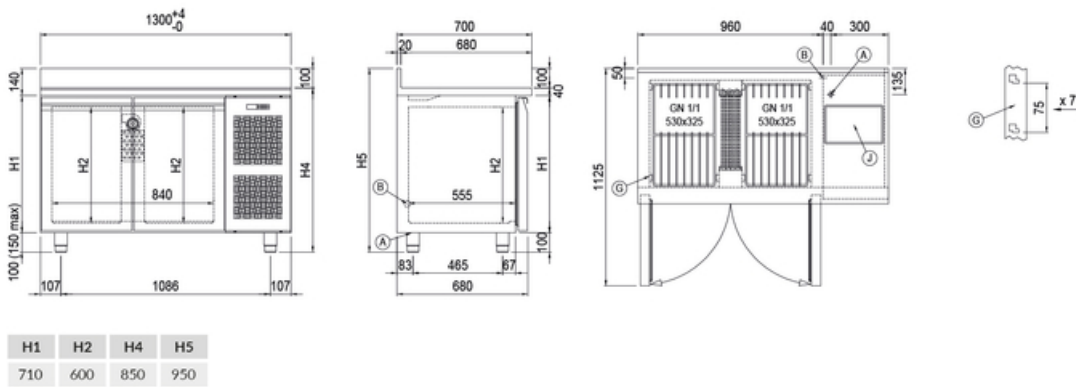
Standard equipment:	2 slides, 2 plastic coated GN1/1 shelves
Control:	Electronic, display flush with the panel
Doors:	2 doors, self-closing, reversible with 105° stop
Door gasket:	Magnetic, triple chamber and easily replaceable
Insulation:	60 mm thickness - CFC/HCFC free
Exterior/interior finishing:	Exterior interior and back in AISI 304 stainless steel. Base in colaminated steel
Inner corners:	Rounded for easy cleaning and ensuring maximum hygiene
Handle:	Stainless steel AISI 304, 2 mm thick
Racks and slides:	Stainless steel AISI 304
Feets:	Stainless steel AISI 304, adjustable h 100-150 mm
Cosmo:	Ready for connection to Cosmo Hub

Accessories and variants

Drawers 1/2	Service water sink Ø 300 mm
Drawers 1/3	Single lever mixer hole Ø 3/4
Drawers 1/3 + 2/3	Adjustable feet h 145/195 mm
Special counter body heights 650 mm	4 Swivel and brake castors h 128 mm
Special counter body heights 700 mm	Brackets for GN pans for drawer
Special counter body heights 750 mm	GN1/2 container + lids kit for drawer, h 150 mm
Technical compartment on the left	GN1/3 container + lids kit for drawer, h 150 mm
Lock with key for drawer 1/2	Bottles shelf, stainless steel coating for shelf 350
Lock with key for drawer 1/3	Stainless steel shelf GN1/1
Lock with key for drawer 1/3 + 2/3	Plastic coated shelf GN1/1
LED lighting	Pair of type C slides 505 mm
RAL customisable colouring	Serial interface, RS485 cable
Plug-in water unit	Cosmo connection kit
Power supply frequency 60Hz	IP44 schuko socket with cover
Other special voltage	Removable plinth GN 2D h 50 mm
Internal hygiene H3	Removable plinth GN 2D h 100 mm
Granite flat worktop	Removable plinth GN 2D h 150 mm
Granite worktop with splashback	

*The installation requires a kit for the replacement of the racks

Technical draw



- A:** Power supply cable outlet **B:** Condensation water drain **G:** Racks pitch
J: Automatic evaporation of condensing water