

Client \_\_\_\_\_ Quantity \_\_\_\_\_  
 Project \_\_\_\_\_ Position \_\_\_\_\_

## Pastry EN60x40 counter 2 doors

**Model:** TP13/1BJ-710

**Cod:** T20201000401



### Technical data

<b>Top:</b>	With top
<b>Gross capacity:</b>	389 lt
<b>Temperature range:</b>	-15°-22°C
<b>Refrigerant unit:</b>	Plug-In
<b>Energetic class:</b>	D
<b>Energy efficiency index:</b>	73,1
<b>Annual consumption:</b>	2825 kW/h annum
<b>24h consumption:</b>	7,74 kW/h/24h
<b>Climate class:</b>	5
<b>Cooling gas:</b>	R290
<b>Defrost:</b>	Hot gas
<b>Body height:</b>	710 mm
<b>Valve:</b>	Supplied standard with solenoid
<b>Dimensions:</b>	1450×800×850 mm
<b>Packing dimensions:</b>	1545×900×990 mm
<b>Gross weight:</b>	155 Kg
<b>Voltage:</b>	220-240 V - 50 Hz
<b>Total rate:</b>	850 W
<b>Absorbed Current:</b>	3,9 A
<b>Cooling capacity:</b>	569 W*
<b>*:</b>	Evap. -30°C Cond. +55°C

### Features

<b>Standard equipment:</b>	8 slides EN60x40
<b>Control:</b>	Electronic, display flush with the panel
<b>Doors:</b>	2 doors, self-closing, reversible with 105° stop
<b>Door gasket:</b>	Magnetic, triple chamber and easily replaceable
<b>Insulation:</b>	60 mm thickness - CFC/HCFC free
<b>Exterior/interior finishing:</b>	Exterior interior and back in AISI 304 stainless steel. Base in colaminated steel
<b>Inner corners:</b>	Rounded for easy cleaning and ensuring maximum hygiene
<b>Handle:</b>	Stainless steel AISI 304, 2 mm thick
<b>Racks and slides:</b>	Stainless steel AISI 304
<b>Feets:</b>	Stainless steel AISI 304, adjustable h 100-150 mm
<b>Cosmo:</b>	Ready for connection to Cosmo Hub

## Accessories and variants

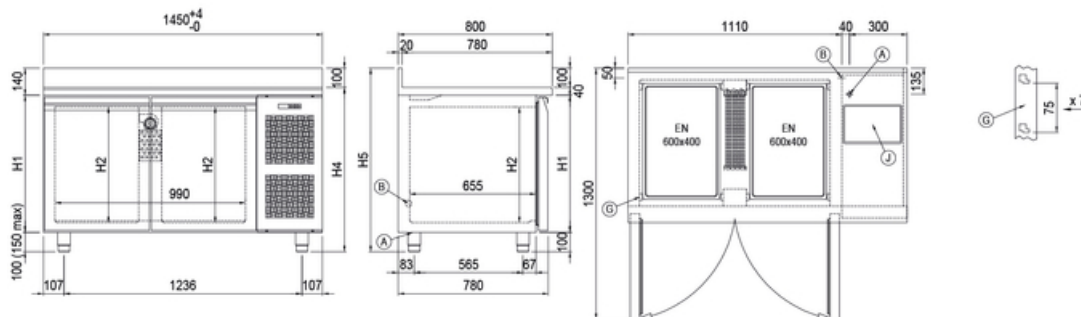
Drawers 1/2	Aluminium coated backing-pan EN60x40 h 20 mm
Drawers 1/3	Stainless steel shelf EN60x40
Drawers 1/3 + 2/3	Plastic coated shelf EN60x40
Technical compartment on the left	Pair of type L slides 605 mm
Lock with key for drawer 1/2	IP44 schuko socket with cover
Lock with key for drawer 1/3	Serial interface, RS485 cable
Lock with key for drawer 1/3 + 2/3	Cosmo connection kit
RAL customisable colouring	Removable plinth EN 2D h 50 mm
Plug-in water unit	Removable plinth EN 2D h 100 mm
Power supply frequency 60Hz	Removable plinth EN 2D h 150 mm
Other special voltage	
Internal hygiene H3	
Granite flat worktop	
Granite worktop with splashback	
Service water sink Ø 300 mm	
Single lever mixer hole Ø 3/4	
Adjustable feet h 145/195 mm	
4 Swivel and brake castors h 128 mm	

### COSMO - wi-fi control

Cosmo is the wi-fi technology that allow to connect and monitor all Coldline appliances. Connect Pastry counters to a Cosmo hub (MODI, VISION or LEVTRONIC) and from the app you can check the operating conditions of each machine and receive alerts in case of abnormal functioning.

\*The installation requires a kit for the replacement of the racks

## Technical draw



H1	H2	H4	H5
710	600	850	950

- A:** Power supply cable outlet      **B:** Condensation water drain      **G:** Racks pitch  
**J:** Automatic evaporation of condensing water