

Client \_\_\_\_\_ Quantity \_\_\_\_\_  
 Project \_\_\_\_\_ Position \_\_\_\_\_

## Master GN counter 3 doors

**Model:** TA17/1B-710

**Cod:** T10302000401



### Technical data

<b>Top:</b>	With top and splashback
<b>Gross capacity:</b>	440 lt
<b>Temperature range:</b>	-15°-22°C
<b>Refrigerant unit:</b>	Plug-In
<b>Energetic class:</b>	D
<b>Energy efficiency index:</b>	72,7
<b>Annual consumption:</b>	2891 kW/h annum
<b>24h consumption:</b>	7,921 kW/h/24h
<b>Climate class:</b>	5
<b>Cooling gas:</b>	R290
<b>Defrost:</b>	Hot gas
<b>Body height:</b>	710 mm
<b>Valve:</b>	Supplied standard with solenoid
<b>Dimensions:</b>	1780×700×950 mm
<b>Packing dimensions:</b>	1875×800×990 mm
<b>Gross weight:</b>	175 Kg
<b>Voltage:</b>	220-240 V - 50 Hz
<b>Total rate:</b>	850 W
<b>Absorbed Current:</b>	3,9 A
<b>Cooling capacity:</b>	569 W*
<b>*:</b>	Evap. -30°C Cond. +55°C

### Features

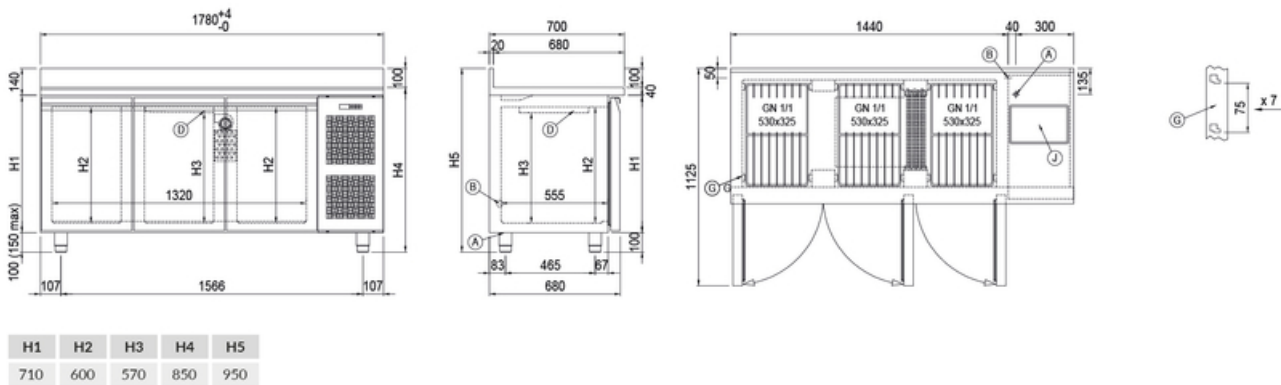
<b>Standard equipment:</b>	3 coppie guida, 3 griglie plastificate GN1/1
<b>Control:</b>	Electronic, display flush with the panel
<b>Doors:</b>	3 doors, self-closing, reversible with 105° stop
<b>Door gasket:</b>	Magnetic, triple chamber and easily replaceable
<b>Insulation:</b>	60 mm thickness - CFC/HCFC free
<b>Exterior/interior finishing:</b>	Exterior interior and back in AISI 304 stainless steel. Base in colaminated steel
<b>Inner corners:</b>	Rounded for easy cleaning and ensuring maximum hygiene
<b>Handle:</b>	Stainless steel AISI 304, 2 mm thick
<b>Racks and slides:</b>	Stainless steel AISI 304
<b>Feets:</b>	Stainless steel AISI 304, adjustable h 100-150 mm
<b>Cosmo:</b>	Ready for connection to Cosmo Hub

## Accessories and variants

Drawers 1/2	Service water sink Ø 300 mm
Drawers 1/3	Single lever mixer hole Ø 3/4
Drawers 1/3 + 2/3	Adjustable feet h 145/195 mm
Special counter body heights 650 mm	4 Swivel and brake castors h 128 mm
Special counter body heights 700 mm	Brackets for GN pans for drawer
Special counter body heights 750 mm	GN1/2 container + lids kit for drawer, h 150 mm
Technical compartment on the left	GN1/3 container + lids kit for drawer, h 150 mm
Lock with key for drawer 1/2	Bottles shelf, stainless steel coating for shelf 350
Lock with key for drawer 1/3	Stainless steel shelf GN1/1
Lock with key for drawer 1/3 + 2/3	Plastic coated shelf GN1/1
LED lighting	Pair of type C slides 505 mm
RAL customisable colouring	Serial interface, RS485 cable
Plug-in water unit	Cosmo connection kit
Power supply frequency 60Hz	IP44 schuko socket with cover
Other special voltage	Removable plinth GN 3D h 50 mm
Internal hygiene H3	Removable plinth GN 3D h 100 mm
Granite flat worktop	Removable plinth GN 3D h 150 mm
Granite worktop with splashback	

\*The installation requires a kit for the replacement of the racks

## Technical draw



- A:** Power supply cable outlet      **B:** Condensation water drain      **D:** Airflow conveyor
- G:** Racks pitch      **J:** Automatic evaporation of condensing water