



Client _____ Quantity _____
 Project _____ Position _____

Roll-in Levtronic J10

Model: J100/1FH

Cod: J31100800101

Technical data

Max capacity:	1 trolley GN1/1, EN60x40
Gross capacity:	754 lt
Temperature range:	-6°+40°C
Humidity range:	45% - 95% with humidifier
Refrigerant unit:	Plug-In
Climate class:	5
Cooling gas:	R452A
Defrost:	Electric
Valve:	Supplied standard with solenoid
Dimensions:	810×815×2115 mm
Packing dimensions:	830×850×2360 mm
Gross weight:	160 Kg
Voltage:	220-240 V - 50 Hz
Total rate:	1360 W
Absorbed Current:	6,2 A
Cooling capacity:	668 W*
*:	Evap. -10°C Cond. +55°C

Features

Standard equipment:	LED lighting, lock with key
Control:	4,3" touch screen display with USB port
Doors:	1 door, self-closing, reversible with 105° stop
Door gasket:	Magnetic, triple chamber and easily replaceable
Insulation:	100 mm thickness - CFC/HCFC free
Exterior/interior finishing:	One-piece structure in AISI 304 stainless steel. Back in galvanized steel
Inner corners:	Rounded for easy cleaning and ensuring maximum hygiene
Handle:	Snap-in chrome with integrated lock
Cosmo:	Wi-Fi remote control system

Accessories and variants

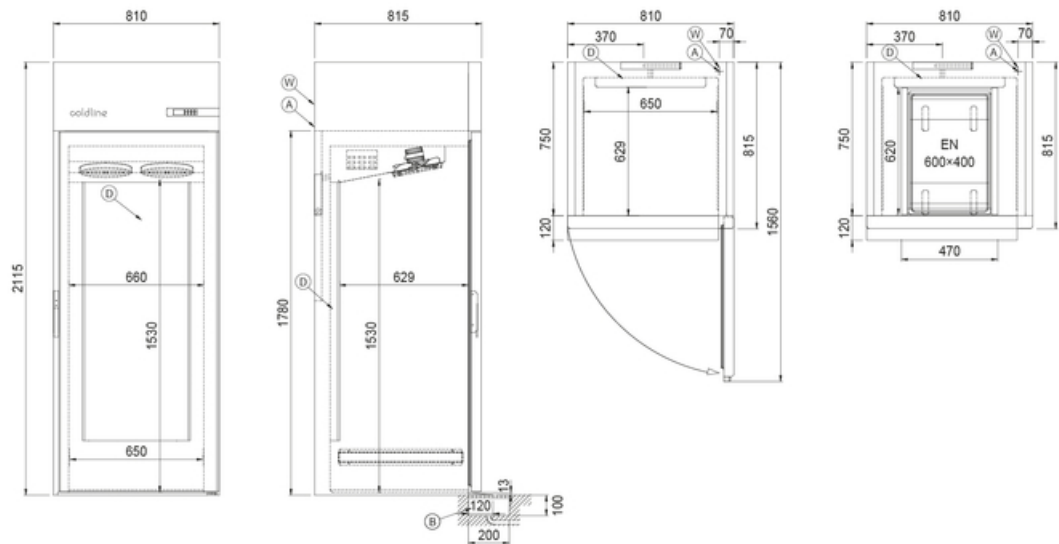
- Power supply frequency 60Hz
- Other special voltage
- Purity C Quell ST 50 filter cartridge
- Cosmo connection kit

COSMO - wi-fi control

Cosmo is the wi-fi technology that allow to connect and monitor all Coldline appliances. Connect Pass-Through cabinets to a Cosmo hub (MODI, VISION or LEVTRONIC) and from the app you can check the operating conditions of each machine and receive alerts in case of abnormal functioning.

*The installation requires a kit for the replacement of the racks

Technical draw



- A:** Power supply cable outlet
- B:** Condensation water drain
- D:** Airflow conveyor
- J:** Automatic evaporation of condensing water
- W:** Water mains connection for humidifier - 3/4" female. Unloading not required

In order to constantly offer the best possible products we reserve the right to make changes on technical specifications without incurring any obligation for equipment previously or subsequently sold.