



Client \_\_\_\_\_ Quantity \_\_\_\_\_  
 Project \_\_\_\_\_ Position \_\_\_\_\_

## Wind 650 lt cabinet EN60x40

**Model:** A80/1T

**Cod:** A24080700101

### Technical data

<b>Gross capacity:</b>	573 lt
<b>Temperature range:</b>	-10°-30°C
<b>Refrigerant unit:</b>	Plug-In
<b>Energetic class:</b>	E
<b>Energy efficiency index:</b>	81,8
<b>Annual consumption:</b>	2467 kW/h annum
<b>24h consumption:</b>	6,759 kW/h/24h
<b>Climate class:</b>	5
<b>Cooling gas:</b>	R452A
<b>Defrost:</b>	Hot gas
<b>Valve:</b>	Supplied standard with solenoid
<b>Dimensions:</b>	810×715×2085 mm
<b>Packing dimensions:</b>	905×830×2250 mm
<b>Gross weight:</b>	150 Kg
<b>Voltage:</b>	220-240 V - 50 Hz
<b>Total rate:</b>	1180 W
<b>Absorbed Current:</b>	6,2 A
<b>Cooling capacity:</b>	751 W*
<b>*:</b>	Evap. -30°C Cond. +55°C

### Features

<b>Standard equipment:</b>	20 slides for EN60x40 trays, LED lighting
<b>Control:</b>	Electronic, display flush with the panel
<b>Doors:</b>	1 door, self-closing with a 105° stop, right hinged
<b>Door gasket:</b>	Magnetic, triple chamber and easily replaceable
<b>Insulation:</b>	75 mm thickness - CFC/HCFC free
<b>Exterior/interior finishing:</b>	Exterior and interior AISI 304 stainless steel. Back, base and internal technical compartment in galvanized/ colaminated steel.
<b>Inner corners:</b>	Rounded for easy cleaning and ensuring maximum hygiene
<b>Handle:</b>	Stainless steel AISI 304, 2 mm thick
<b>Racks and slides:</b>	Stainless steel AISI 304
<b>Feets:</b>	Stainless steel AISI 304, adjustable h 100-150 mm
<b>Cosmo:</b>	Ready for connection to Cosmo Hub

## Accessories and variants

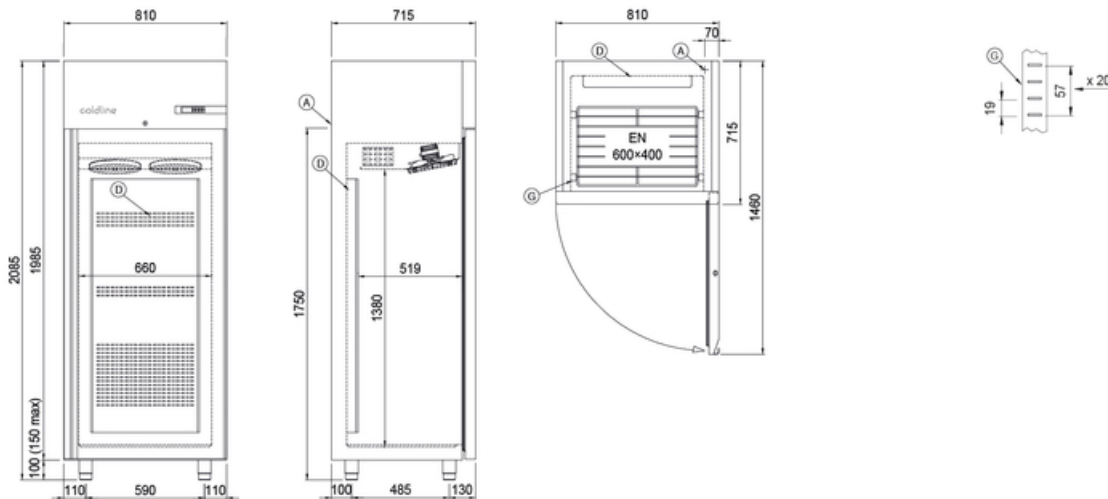
- Half doors
- RAL customisable colouring
- Plug-in water unit
- Power supply frequency 60Hz
- Other special voltage
- Kit für Öffnung der Tür mit Pedal
- 4 Swivel and brake castors h 128 mm
- Aluminium coated backing-pan EN60x40 h 20 mm
- Plastic coated shelf EN60x40
- Pair of type L slides 398 mm EN
- Serial interface, RS485 cable
- Cosmo connection kit

### COSMO - wi-fi control

Cosmo is the wi-fi technology that allow to connect and monitor all Coldline appliances. Connect Windcabinets to a Cosmo hub (MODI, VISION or LEVTRONIC) and from the app you can check the operating conditions of each machine and receive alerts in case of abnormal functioning.

\*The installation requires a kit for the replacement of the racks

## Technical draw



A: Power supply cable outlet

D: Airflow conveyor

G: Racks pitch